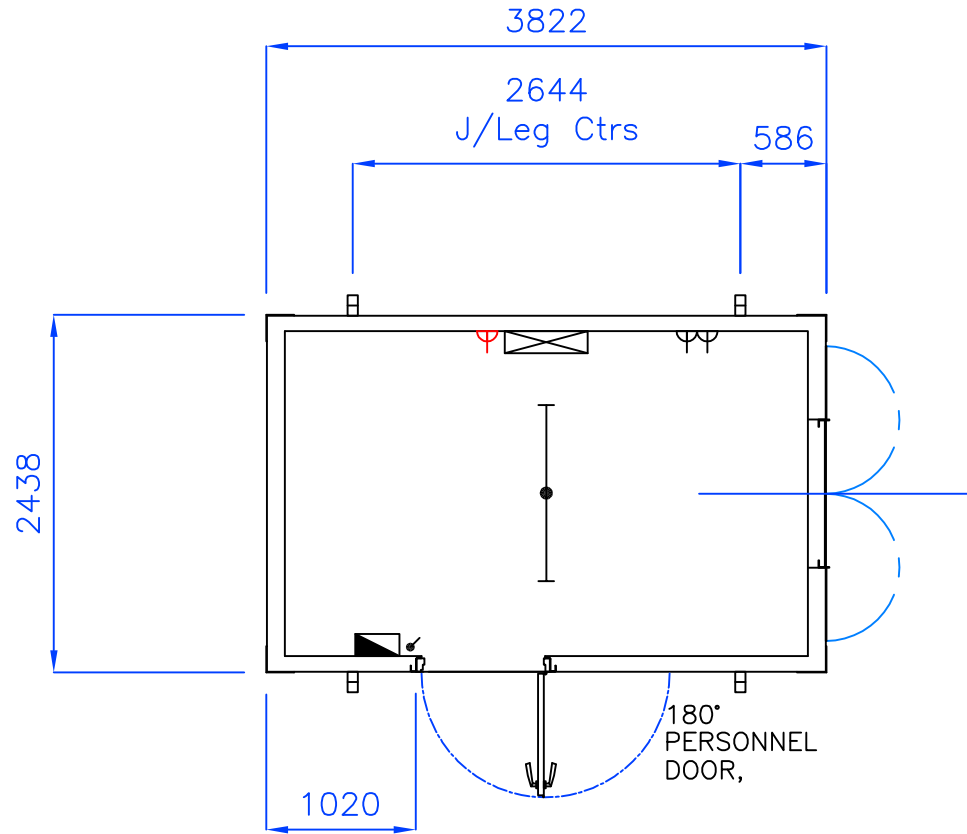


Jacklegs shown for reference only.
Check order prior to manufacture.



KEY TO SYMBOLS

	Consumer Unit
	Light Switch
	4' Fluorescent Light
	Twin Skt., 300mm above F.F.L.
	Convector Heater c/w Spur

APPROVAL BOX

Customer:
Signature:
Name:
Date:

LINED USING EGB2001 & INSULATED.
MONO-WHITE CEILING PANELS.
WOODSTAIN TRIM.
'POLYFLOR' FLOORING.

Please Note
3'x3' Single Glazed,
'Ali' Framed Sliding Windows
c/w Secure Steel Shutters

2	13/02/03	Company Change: Door Design Change
1	14/5/01	FIRST ISSUE
ISSUE	DATE	DESCRIPTION

TITLE Termospace
12'x8' Office

DRAWN	PB	DATE	14/5/01	DRG. No. TER_OP1208V01
APPROVED		DATE		
CHECKED				