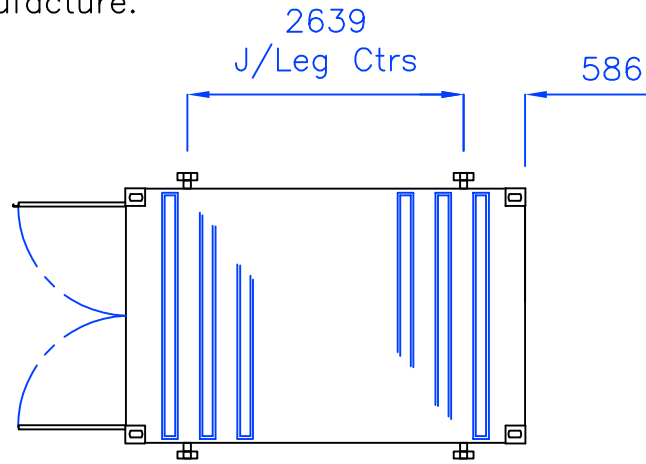
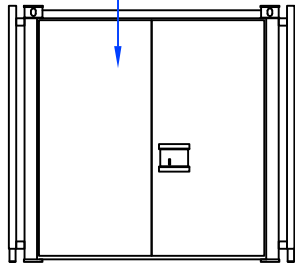


Jacklegs shown for reference only.
Check order prior to manufacture.

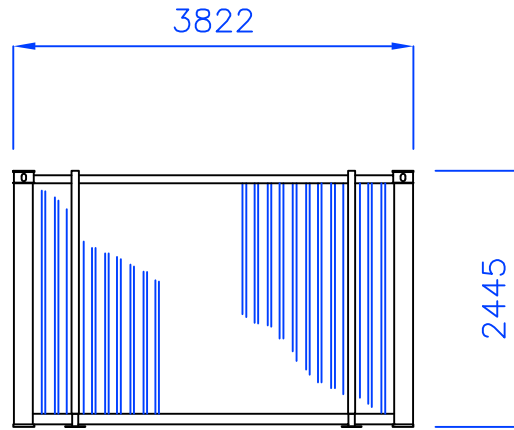


PLAN VIEW

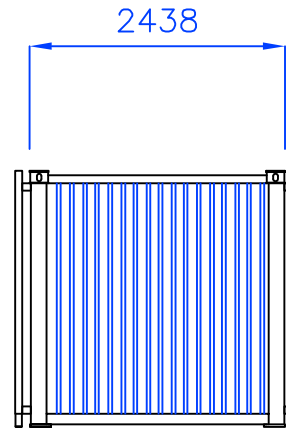
'LOCK & LEAVE'
DOUBLE DOORS



DOOR END



SIDE ELEVATION



FIXED END

KEY TO SYMBOLS

<p><u>APPROVAL BOX</u></p> <p>Customer:</p> <p>Signature:</p> <p>Name:</p> <p>Date:</p>		
1	14/5/01	FIRST ISSUE
ISSUE	DATE	DESCRIPTION

TITLE Termospace
12'x8' Steelstore

DRAWN	PB	DATE	14/5/01	DRG. No. TER_SS1208V01
APPROVED		DATE		
CHECKED				